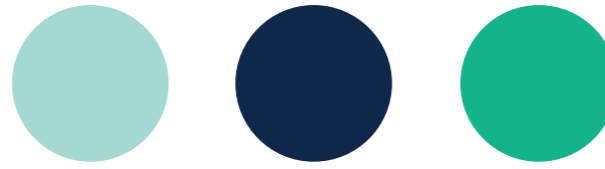


STAX^{PLUS}

Range Overview.

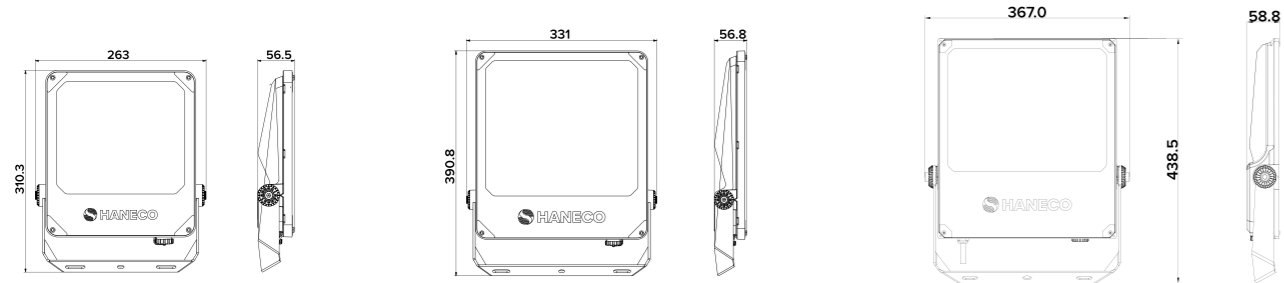


POWER	LUMENS	EFFICACY	CCT	WEIGHT	SAP CODE	PRODUCT CODE
30/50/70W	4,182 / 4,238 / 4,245 lm 6,550 / 6,842 / 6,799 lm 9,034 / 9,898 / 9,624 lm	139 / 144 / 143 lm/W 141 / 151 / 146 lm/W 129 / 146 / 137 lm/W		2.64kg	2002650	STAX70WPLUS
100/120/150W	13,982 / 14,664 / 14,465 lm 16,443 / 17,536 / 16,924 lm 20,759 / 21,859 / 20,761 lm	138 / 150 / 142 lm/W 135 / 148 / 138 lm/W 133 / 146 / 133 lm/W		4.4 kg	2002651	STAX150WPLUS
150/170/200W	20,999 / 23,026 / 22,758 lm 23,151 / 25,536 / 24,811 lm 25,597 / 28,807 / 27,597 lm	138 / 158 / 149 lm/W 135 / 155 / 143 lm/W 130 / 152 / 139 lm/W	3000 / 4000 / 5000K (switchable CCT)	4.78kg	2002652	STAX200WPLUS
200/250/300W	27,453 / 30,165 / 29,853 lm 32,479 / 35,725 / 34,842 lm 34,803 / 39,305 / 38,113 lm	129 / 148 / 139 lm/W 125 / 145 / 134 lm/W 117 / 141 / 128 lm/W		5.1 kg	2002676	STAX300WPLUS
300/400/500W	47,438 / 60,789 / 69,682 lm	155 / 148 / 145lm/W	5000K (3000K and 4000K version available)	11.32kg	2002677	STAX500WPLUS

SPECIFICATIONS	
Body Material:	Diecast Aluminium
Diffuser	Polycarbonate
Material:	Polycarbonate
Body colour:	Black
IK Rating:	IK08
IP Rating:	IP66
Beam Angle:	Asymmetric (140° x 70°)
CRI:	> 80
SDCM:	≤ 5
Driver:	Integral
Connection Type:	1m Flex without plug
Input:	120-277Vac 50/60Hz
Electrical Classification:	Class I
Power Factor:	> 0.9
Protection:	Overload / Short Circuit
Lifespan:	>102,000hr @Ta45° (L80)
Operating Temperature:	-20 to 45°C
Surge Protection:	6kV (10kV for 500W model)
Dimming:	Non-Dimmable

APPLICATIONS	
Building Surrounds	
Carpark	
Area Lighting	
Outdoor Recreation	
General Industrial	
Sports Facility	

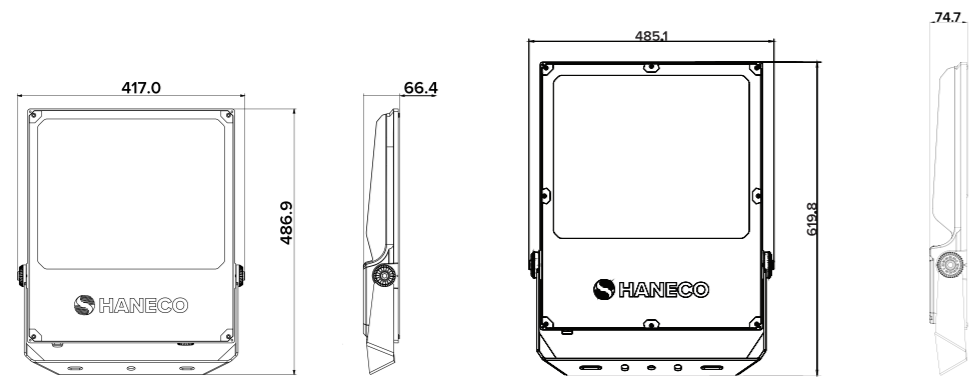
DIMENSIONS (mm)



STAX70WPLUS

STAX150WPLUS

STAX200WPLUS



STAX300WPLUS

STAX500WPLUS

HANECO | STAX^{PLUS}

SALES OFFICE & WAREHOUSE

South Australia (Head Office) & Northern Territory
262 Marion Rd
Netley, SA 5037
Ph: 08 8297 6373

New South Wales & ACT
157 Orchardleigh St
Old Guildford, NSW 2161
Ph: 02 8999 1377

Queensland
72 Crockford St
Northgate, QLD 4013
Ph: 07 3123 5008
Fax: 07 3319 6170

Western Australia
Unit 4, 5 Spartan Street
Jandakot, WA 6164
(08) 6169 1600
Despatch enquiries only

Victoria & Tasmania
26-28 Bando Rd
Springvale, VIC 3171
Ph: 03 9008 6109

GENERAL ENQUIRIES
info@haneco.com.au
1300 001 LED (533)



Find out more



STAX^{PLUS}

Precision Floodlighting. Built for Performance.



70W

150W

200W

300W

500W

High-performance asymmetric floodlights engineered for sports, industrial and outdoor applications.



Engineered for PRECISION LIGHTING

STAX^{PLUS} is a high-performance asymmetric floodlight designed to deliver controlled, efficient illumination across a wide range of outdoor environments. Its advanced optical system focuses light where it's needed while reducing spill and glare.

From sports facilities and industrial yards to car parks and building exteriors, STAX^{PLUS} provides dependable lighting performance with the flexibility contractors need for modern projects.

Built with robust materials and engineered for long-term reliability, it performs consistently in harsh outdoor conditions while maintaining excellent light uniformity and efficiency.

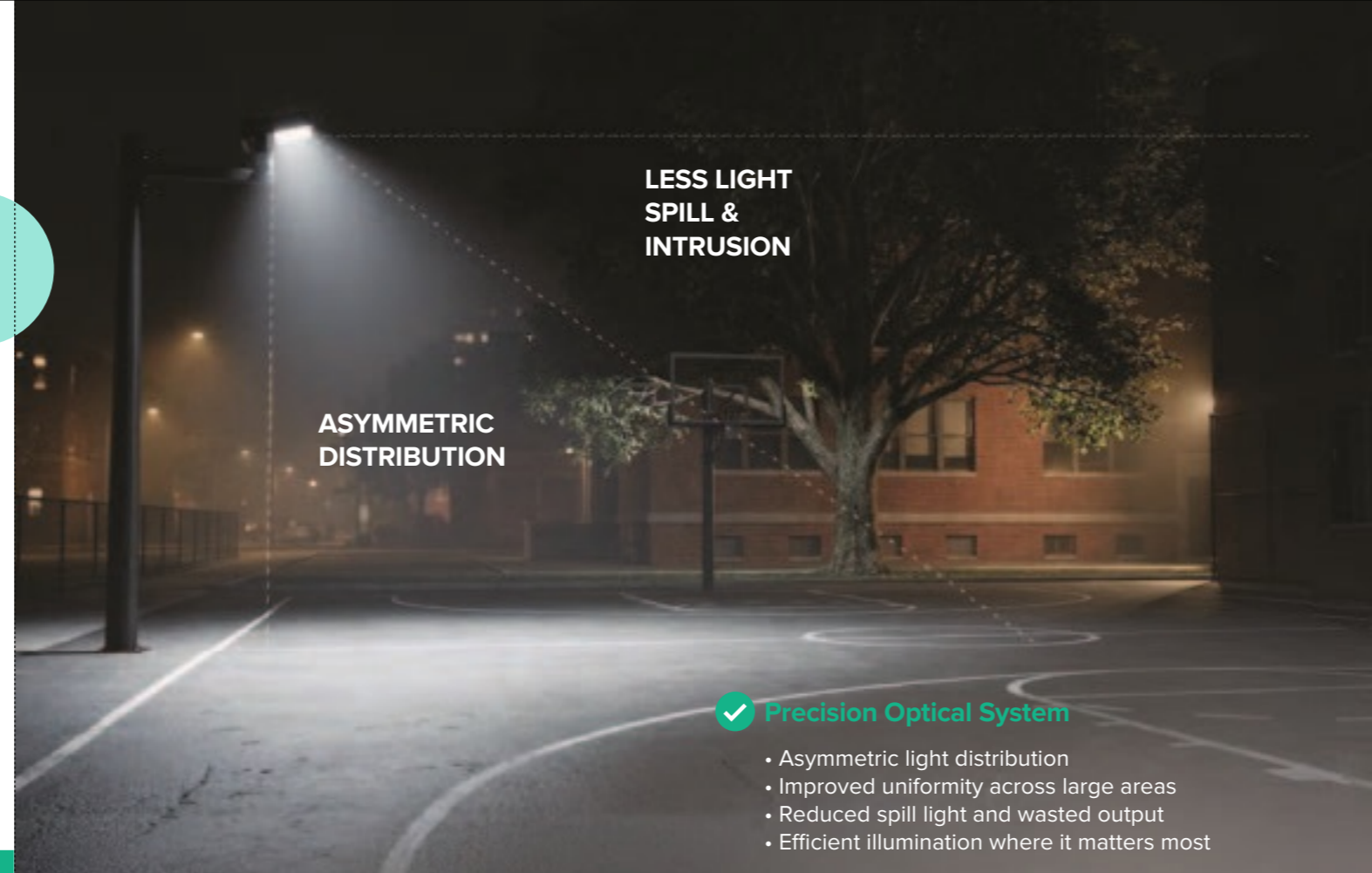
- ✓ **Features**
 - Precision asymmetric optical system
 - Designed for professional outdoor lighting applications
 - Durable construction for demanding environments
 - Efficient light distribution with reduced spill light



- POWER** Switchable Modes
- TRITONE** Colour Selectable
- IP66** Ingress Protection Rating
- IK08** Impact Rating
- 70x140°** Beam Angle
- 102,000hr** Projected Lifespan*
- 5yr** Warranty

HANECO | STAX^{PLUS}

* Based on rated LED design life



ASYMMETRIC DISTRIBUTION

LESS LIGHT SPILL & INTRUSION

- ✓ **Precision Optical System**
 - Asymmetric light distribution
 - Improved uniformity across large areas
 - Reduced spill light and wasted output
 - Efficient illumination where it matters most

Precise optics. BUILT TO LAST.

- ✓ **Built for Harsh Environments**
 - IP66 weather protection against dust and water ingress
 - IK08 impact resistance for durability
 - Robust construction for long-term outdoor performance

STAX^{PLUS} asymmetric optical system directs light precisely where it's needed, improving visibility and uniformity while minimising wasted spill light.

At the same time, its durable design ensures reliable operation in challenging conditions such as industrial sites, outdoor work areas and sports facilities.



IP66 All-Weather Performance

- ✓ **Typical Applications**
 - Sports fields
 - Industrial yards
 - Car parks
 - Outdoor work areas
 - Building exteriors

HANECO | STAX^{PLUS}

One floodlight. MULTIPLE LIGHTING OPTIONS.

- ✓ **Tritone Colour Selection**

Choose between multiple colour temperatures to suit different environments and project specifications*.

*500W model is available in 3000K, 4000K and 5000K as single CCT version.



- ✓ **Switchable Power Output**

Adjust the lumen output to match the lighting requirements of the application.



Customisable Power & CCT Settings

- ✓ **Simple Adjustment**

Flexible mounting and easy adjustment, ensure fast installation and accurate aiming.

HANECO | STAX^{PLUS}